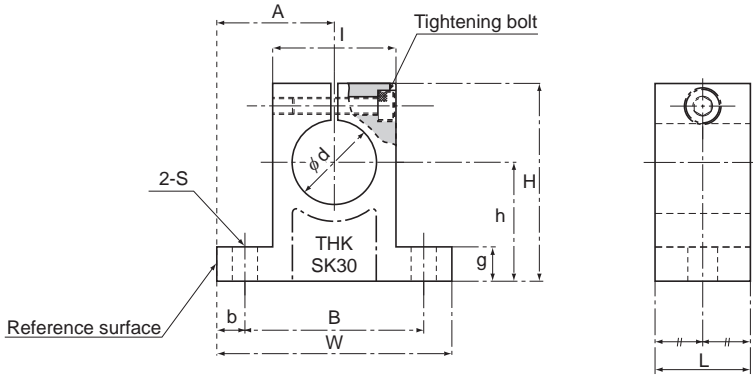


# Model SK



Unit: mm

Model No.	Main dimensions														Mass g
	H	W	L	B	S	Mounting bolt model No.	h $\pm 0.02$	A $\pm 0.05$	b	g	l	Shaft diameter d	Tightening bolt model No.		
SK 10	32.8	42	14	32	5.5	M5	20	21	5	6	18	10	M4	24	
SK 12	37.5	42	14	32	5.5	M5	23	21	5	6	20	12	M4	30	
SK 13	37.5	42	14	32	5.5	M5	23	21	5	6	20	13	M4	30	
SK 16	44	48	16	38	5.5	M5	27	24	5	8	25	16	M4	40	
SK 20	51	60	20	45	6.6	M6	31	30	7.5	10	30	20	M5	70	
SK 25	60	70	24	56	6.6	M6	35	35	7	12	38	25	M6	130	
SK 30	70	84	28	64	9	M8	42	42	10	12	44	30	M6	180	
SK 35	83	98	32	74	11	M10	50	49	12	15	50	35	M8	270	
SK 40	96	114	36	90	11	M10	60	57	12	15	60	40	M8	420	

## Standard LM Shafts

THK manufactures high quality, dedicated LM shafts for linear bushings.

(1) [Major materials]

SUJ2 (high-carbon chromium bearing steel)

THK5SP (THK standard material)

SUS440C equivalent

[Hardness] 58 to 64 HRC

[Hardened layer depth] 0.8 to 2.5 mm (varies with shaft diameter)

[Surface roughness] Ra0.20 to Ra0.40

[Straightness of the LM shaft] 50  $\mu$ m/300 mm or less

(2) Precision-grade LM shafts with shaft diameter tolerance of g5 or h5 are also manufactured as standard.



Unit: mm

Model No.	Shaft diameter		Manufactured length L	
	d	Tolerance g6 $\mu$ m	Min length	Max length
SF 3	3	-2 -8	20	400
SF 4	4	-4 -12	20	400
SF 5	5		20	500
SF 6	6	-5 -14	20	1500
SF 8	8		20	1500
SF 10	10	-6 -17	30	1500
SF 12	12		30	1500
SF 13	13	-7 -20	30	1500
SF 16	16		40	3000
SF 20	20	-9 -25	40	3000
SF 25	25		50	3000
SF 30	30	-10 -29	60	3000
SF 35	35		70	3000
SF 38*	38	-12 -34	100	3000
SF 40	40		100	3000
SF 50	50	-12 -34	100	3000
SF 60*	60		200	3000
SF 80*	80	-12 -34	200	3000
SF 100*	100		200	3000

Note)\*Made to order